

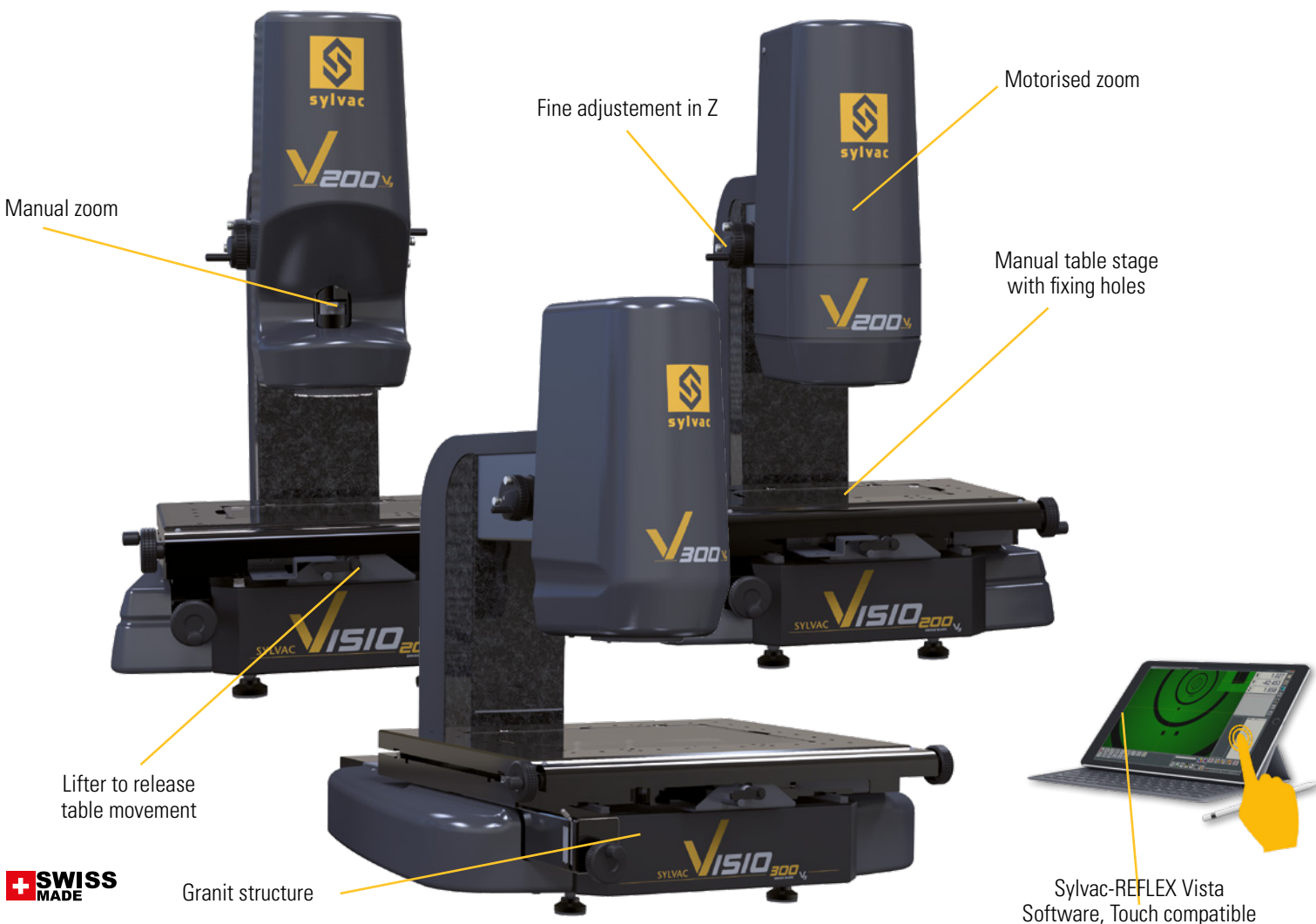
Optical measurement

SYLVAC-VISIO

DESCRIPTION

200 & 300 V3

- High quality ergonomic 2.5D optical (video) measuring system
- Extremely robust and durable construction with granite base and gooseneck
- Full HD camera with wide field of view for increased accuracy
- Manual X-Y table with quick-release and high-precision guidance
- Manual or motorised zoom depending on the version
- Lighting with ring light adjustable in segments, coaxial light and diasopic light
- Delivered complete with a computer with touch screen and the very easy to use Reflex-Vista software offering a wide range of functionalities: Semi-automatic intuitive measurement, automatic edge detection, comparison with imported DXF contour
- Available in 3 versions :
 - 902-2210: VISIO 200, manual zoom, measuring range 200 x 100 x 150 mm
 - 902-2211: VISIO 200, motorised zoom, measuring range 200 x 100 x 150 mm
 - 902-2212: VISIO 300, motorised zoom, measuring range 300 x 200 x 150 mm
- Numerous accessories available



J

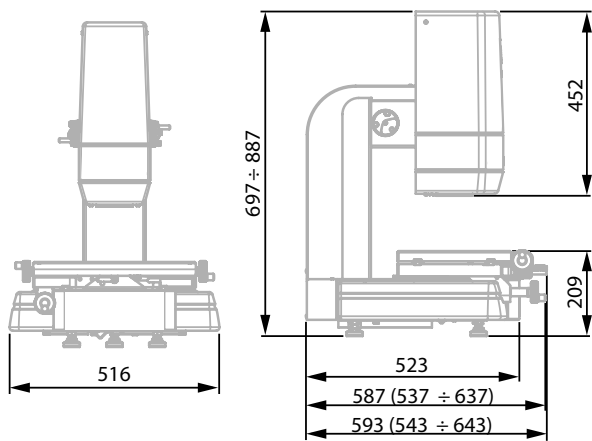


Optical measurement

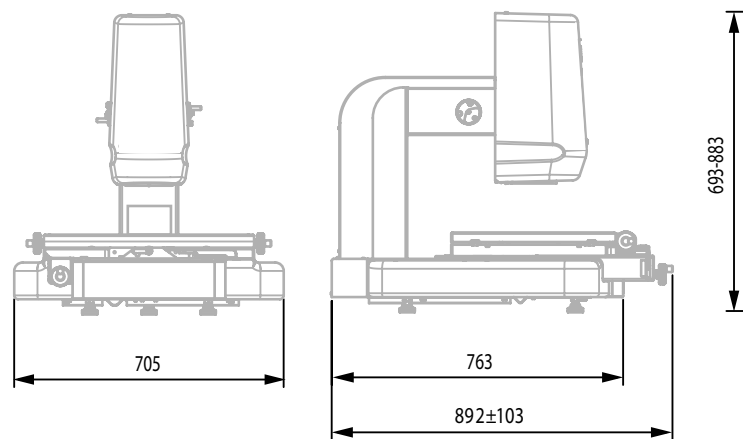
SYLVAC-VISIO

DIMENSIONAL DRAWINGS

200 & 300 V3



Sylvac VISIO 200 V3



Sylvac VISIO 300 V3

TECHNICAL SPECIFICATIONS

		902-2210	902-2211	902-2310
Model		Sylvac Visio 200		Sylvac Visio 300
Measuring volume	mm	200x100x150		300x200x150
X, Y Accuracy (E ₁ , X, Y)	µm	1.9 + 10L/1000 (L = mm) ^{1) 3)}		1.9 + 4L/1000 (L = mm) ^{1) 3)}
XY Accuracy (E ₂ , XY)	µm	2.4 + 10L/1000 (L = mm) ^{1) 3)}		2.4 + 4L/1000 (L = mm) ^{1) 3)}
Z Accuracy (E ₁ , Z) ²⁾	µm	2.9 + 10L/1000 (L = mm)		2.9 + 10L/1000 (L = mm)
Resolution	mm	0.001		0.001
Max. load capacity	kg	10		20
Magnification (screen 23.8")		24x - 144x (12x - 288x with additional lenses)		
Zoom		Manuel 4x	Motorised 6x	Motorised 6x
Weight		98		170
International standards		EN61000-6-2, EN61000-6-4, EN61326-1, EN12100-1, EN12100-2		

¹⁾ m ≤ 5 kg

²⁾ mechanical accuracy

³⁾ at glass plate level

STANDARD DELIVERY

- Instrument according to technical specifications
- Software Sylvac-REFLEX Vista multilingual
- Computer with touchscreen 23.8", keyboard and mouse
- CAD compare software
- Windows 10 multilingual operating system
- Manual
- Calibration certificate